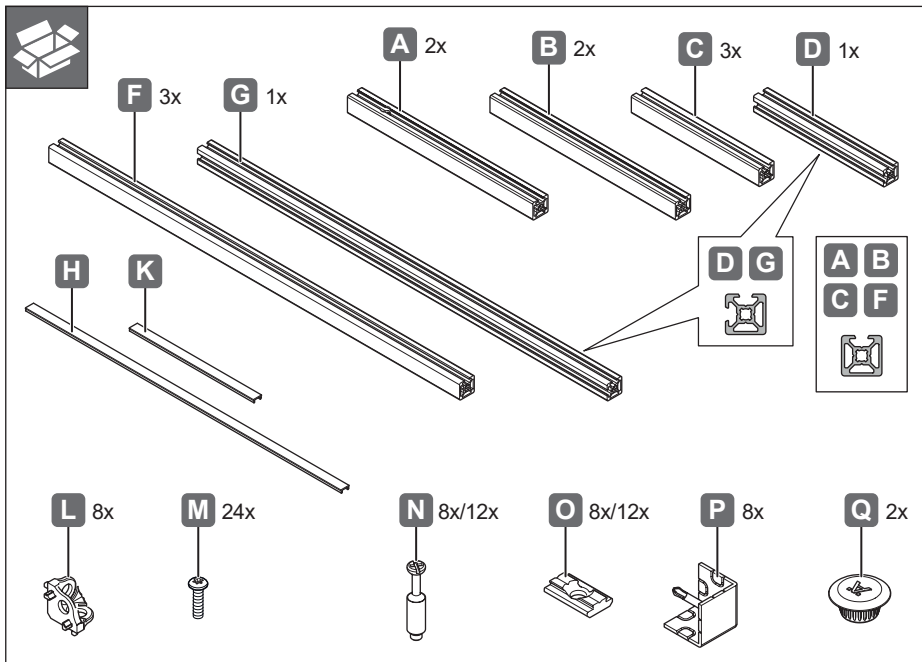
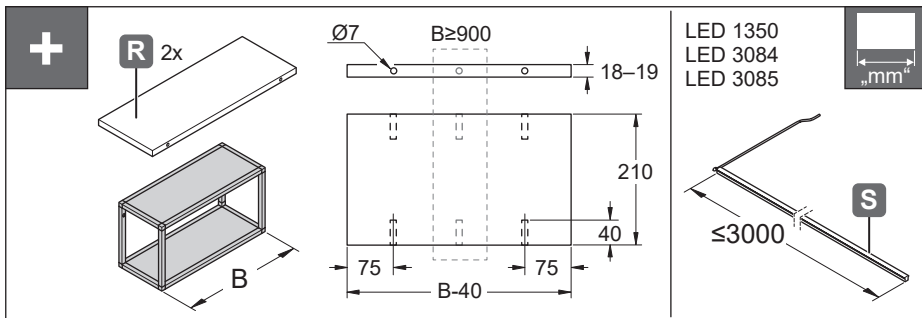


793.25.400	793.26.433
793.25.410	793.26.426
793.25.480	793.26.436
793.25.481	793.27.401
793.26.423	793.27.402

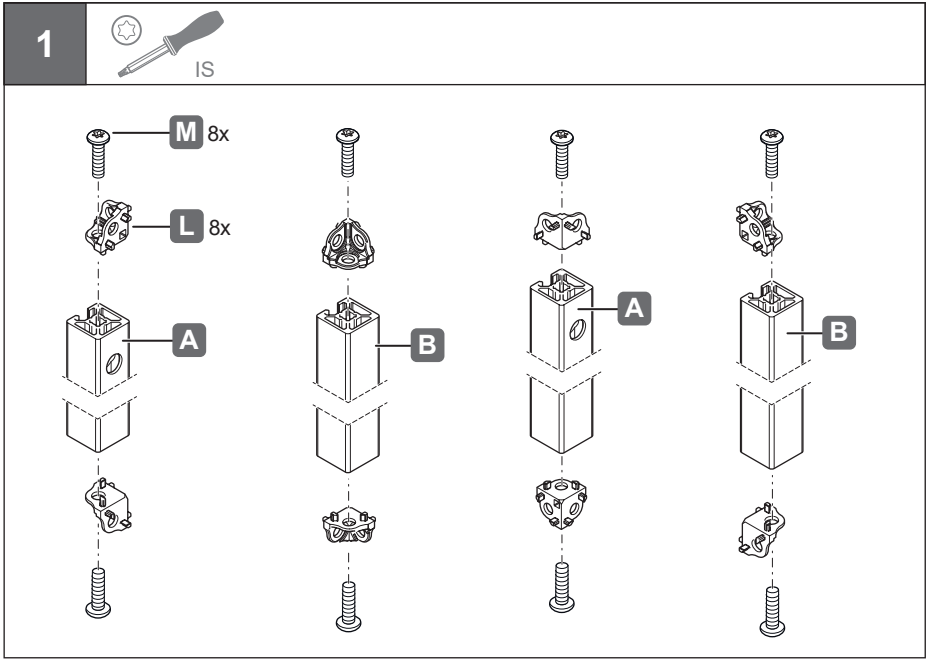
732.27.400



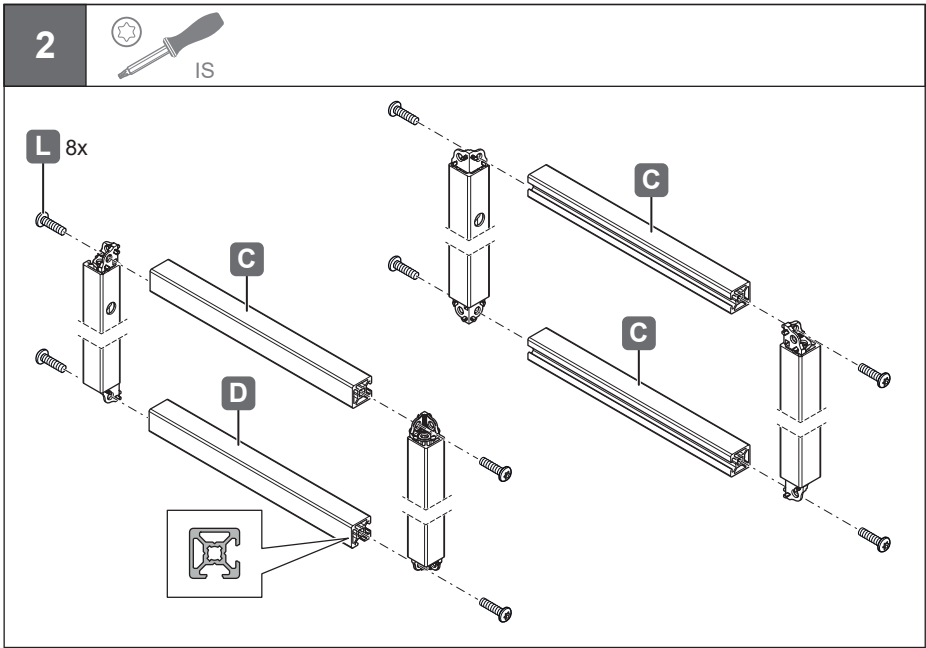
[WS76]



HDE 17.07.2024



732.27.400



[WS76]

HDE 17.07.2024

3



PZ

8x/12x

1

F/G

O

8x/12x

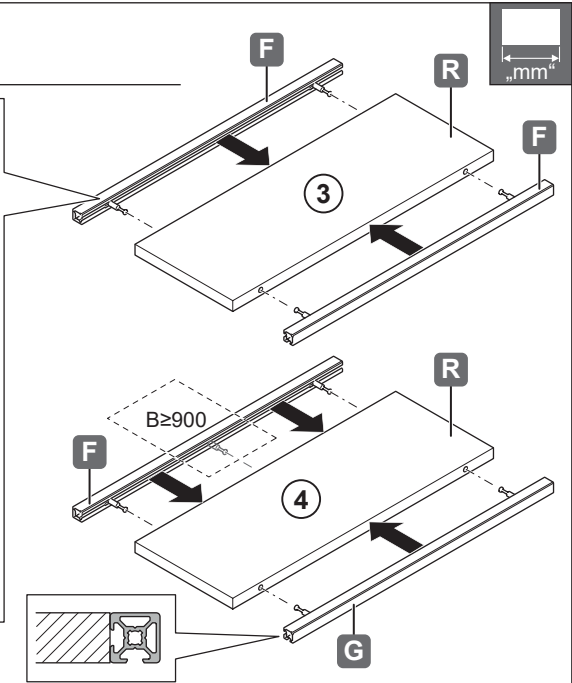
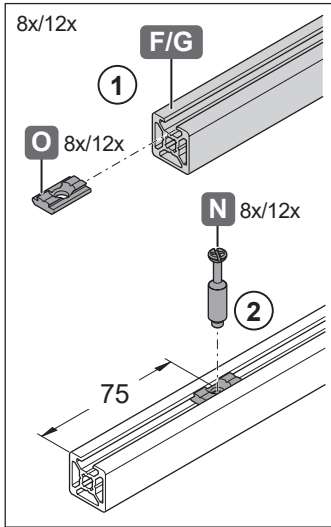
N

8x/12x

2

75

732.27.400



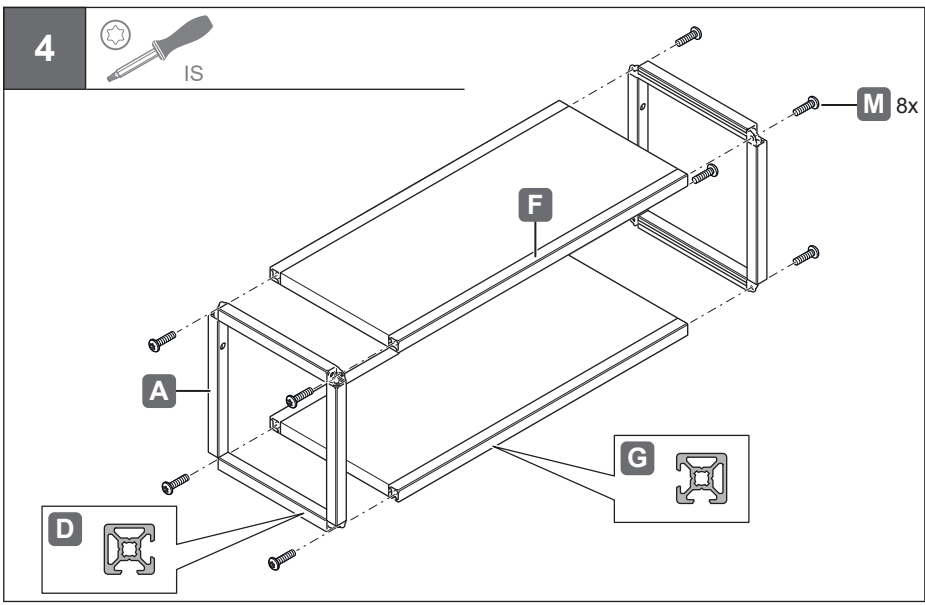
4

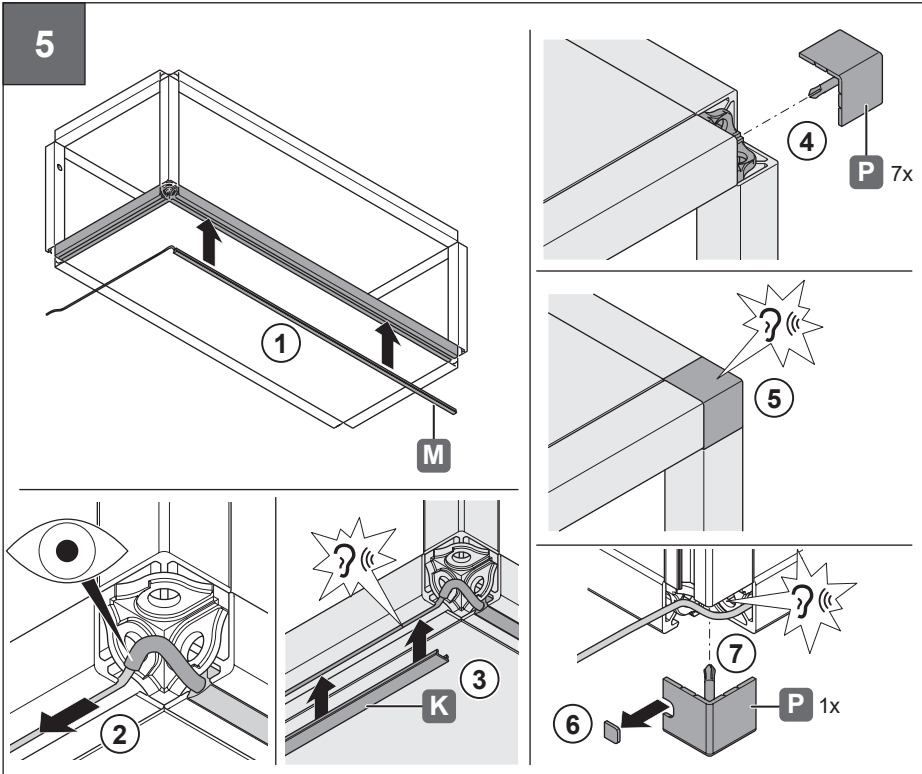


IS

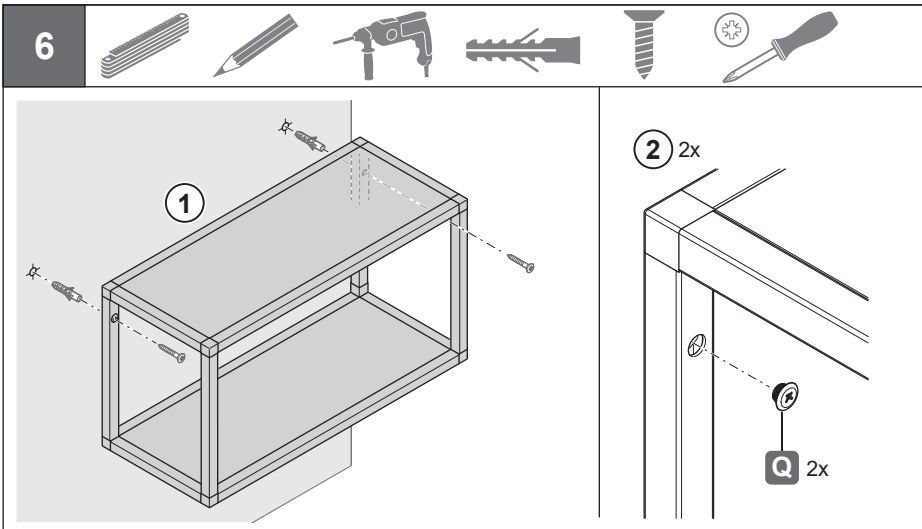
[WS76]

HDE 17.07.2024





732.27.400



[WS76]

HDE 17.07.2024